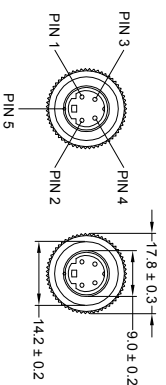
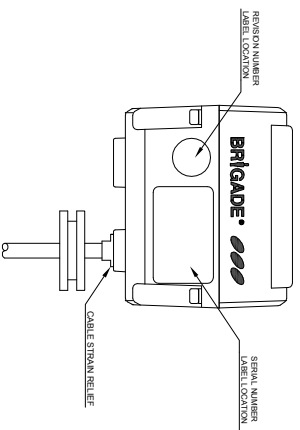


**VIEW A**



**4 PIN MINI DIN MALE MATING FACE**



PIN #	WIRE COLOUR	DESCRIPTION
1	YELLOW	VIDEO
2	RED	+12V
3	BLUE	N.C
4	WHITE	AUDIO
5	BLACKSHIELD	GND

- NOTES:**
1. REFER TO "PRODUCT SPECIFICATION" FOR MORE DETAILS.
  2. REFER TO COMPONENT DRAWINGS FOR COMPONENT DETAILS.
  3. ENSURE SELF AMALGAMATING TAPE IS USED DURING INSTALLATION.
  4. ANY CUSTOMER MODIFICATION CAUSING SUBSEQUENT FAILURE IS NOT A LIABILITY OF BRIGADE ELECTRONICS PLC.

**PROPRIETARY NOTICE**  
 THIS DESIGN AND TECHNICAL INFORMATION APPEARING ON THIS DRAWING IS THE PROPERTY OF BRIGADE ELECTRONICS, AND IS DISCLOSED IN CONFIDENCE. IT IS NOT TO BE COPIED, REPRODUCED, REVEALED TO OR EXPLOITED BY OTHERS, EITHER IN WHOLE OR IN PART WITHOUT THE EXPRESS WRITTEN CONSENT OF BRIGADE ELECTRONICS.

**BRIGADE**  
 www.brigade-electronics.com

<b>Assembly Pl Approval</b> 		<b>Approved by</b> DKERAL		<b>Checked by</b> JNEWMAN		<b>Drawn by</b> MBUTLER	
<b>Angle of Projection</b> Third Angle		<b>Units</b> mm	<b>Scale</b> N/A	<b>Released</b> 29/09/10	<b>Assembly Ref</b> -		
<b>Status</b> RELEASED		<b>BE-800C(40)-C</b>					
<b>Part No</b> #3481A		<b>BE-001261-01-10</b>					